

An ultra fast sampling memory tool called the Burst Tool is now available for sale or rental. This pressure gauge will capture a perforation event, at a rate of 32,000 samples per second.

There are 3 sampling speeds:

- Slow Speed = Up to 1 sample / second
- Intermediate Speed = 16,000 samples / second
- Fast Speed = 32,000 samples / second

Like all DataCan products, the Burst Tool operates using the same simple and easy to use program and download software as all other DataCan products.


A change in sample rate can be initiated in three ways:

- Normal = Change sample rates at pre-programmed time intervals
- Level Pressure Trigger = Change rate at a pre-programmed absolute pressure set-point
- Delta Pressure Trigger = Change rate after a pre-programmed change in pressure over time.

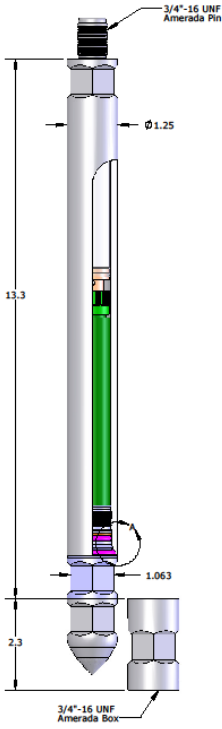
The gauge has non-volatile memory, so the data will not be lost when you disconnect the battery pack.

The Burst Tool can store up to 8 high speed sampling events. One high speed event will capture 500,000 samples, or ~15 seconds of data at the Fast Speed. The Burst Tool can also store up to 1 million Slow Speed data samples.

The current Burst Tool works at 150°C. DataCan is actively working and testing the design to improve the rating to 177°C.



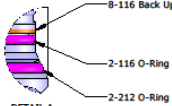
Memory Pressure Gauge
1 1/4" Burst



Features

- 32,000 Samples Per Second
- Super Seal Technology
 - 30,000 psi @ 1.25" OD
- Absolute Pressure Trigger (Level Trigger)
- Delta Pressure Trigger (Window Trigger)
- Electron Beam Welded Sensor
- Shock Mounted Electronics

DETAIL A



1.25" OD Burst Memory Tool- Inconel 718		
Pressure	Temperature	Part No.
20,000 psi	150°C	100414
25,000 psi		100415
30,000 psi		100419

Accessory Type	Part No.
Bullnose SS17-4	102632
Crossover 0.75-16 UNF SS17-4	102633
Battery Barrel 1 X "Sub OC" Inconel 718	100719
Battery Barrel 2 X "Sub OC" Inconel 718	101006
Mexican Case Assembly	100936
USB To Serial Converter Assembly	100682
Hedress Kit Viton 90	100908
Hedress Kit Atlas 71825	100227
Hedress Kit Oremaz 510	100228

Specifications		
	Pressure	Temperature
Accuracy Up To	0.10% F.S.	1.0°C
Resolution	0.0002% F.S.	0.005°C
Drift	< 3 psi/year	< 0.1°C/year
Slow Mode Sample Rate	1 Sample/Second	
Intermediate Sample Rate	10,000 Samples/Second	
Fast Sample Rate	Up To 32,000 Samples/Second	
Capacity	1 Million Samples (8 High Sample Rate Events)	
Communication Method	USB	

www.datacan.ca
info@datacan.ca